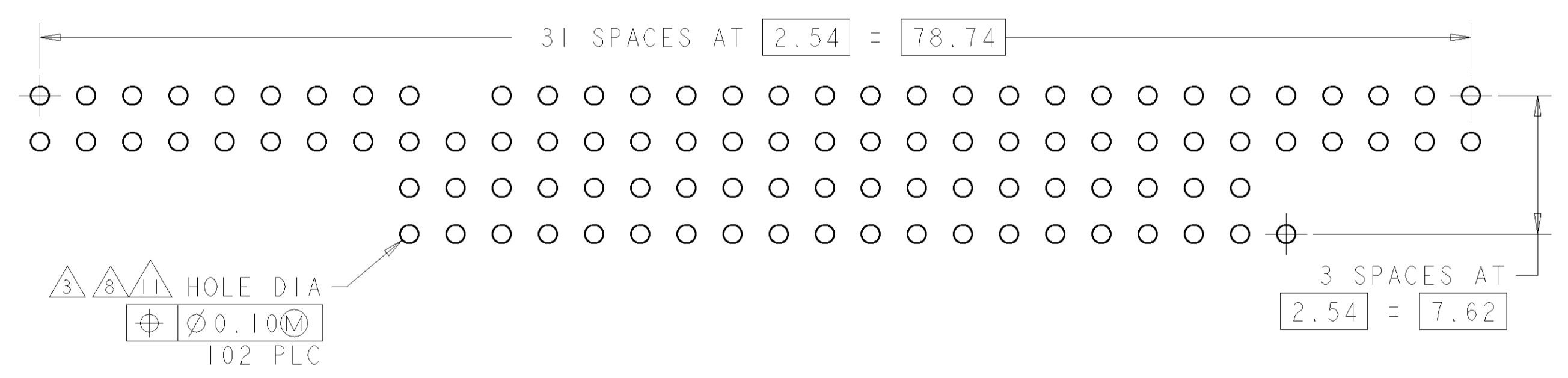
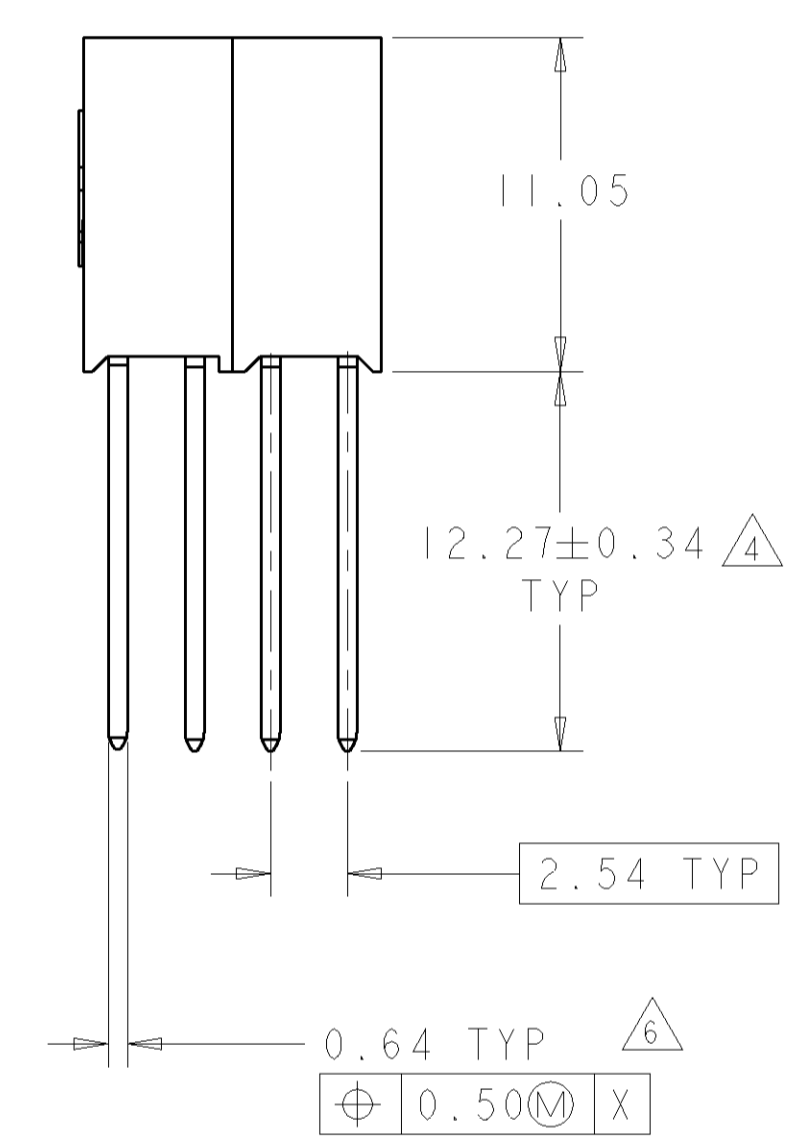
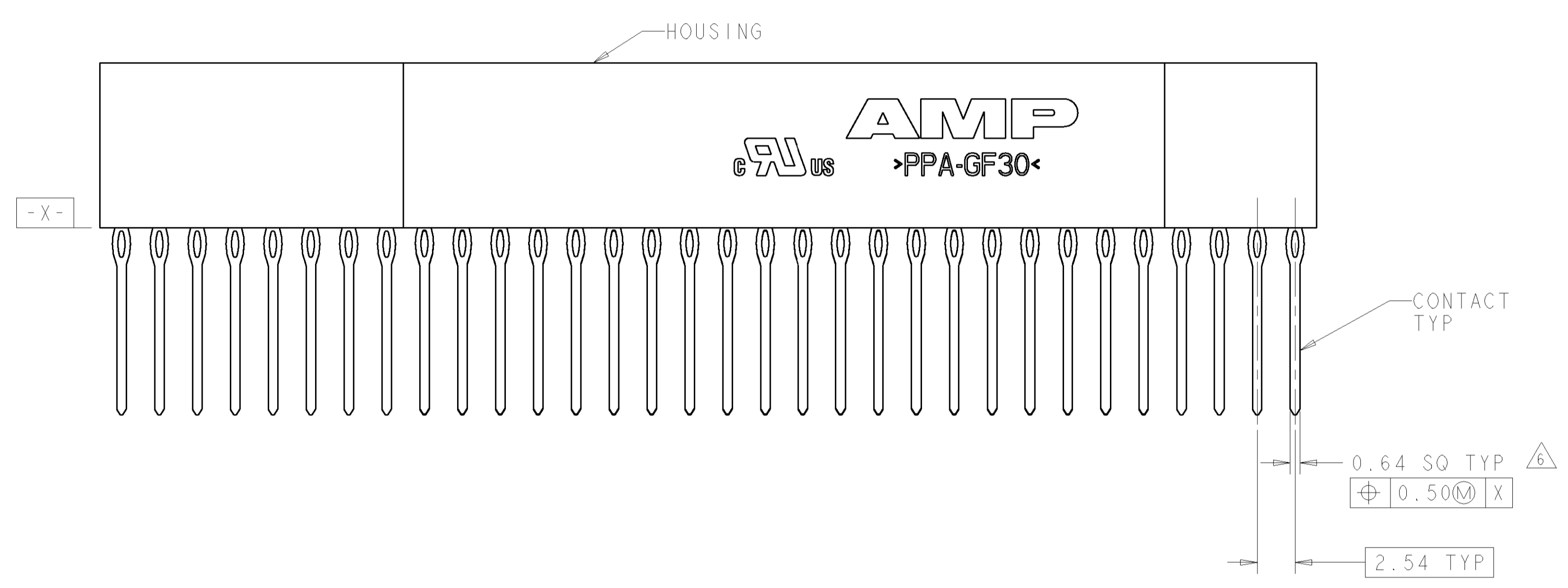
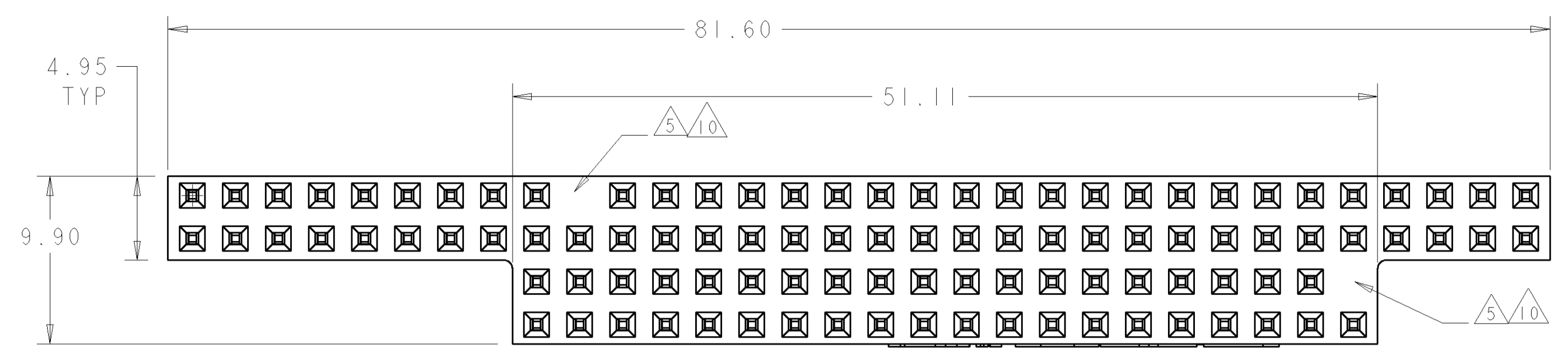
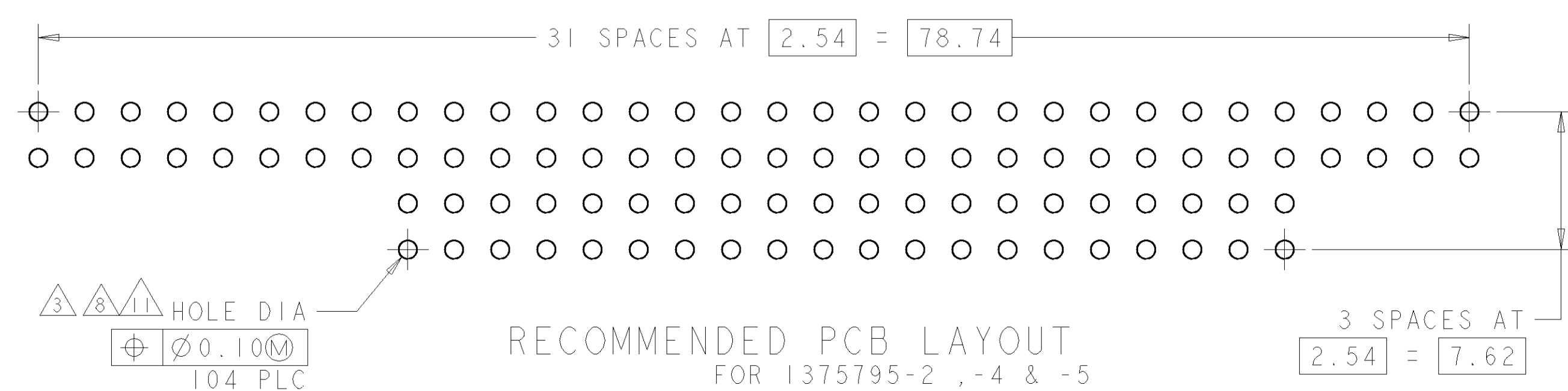


LOC		DIST		REVISIONS			
AD	00	P	LTR	DESCRIPTION	DATE	DRN	APVD
		H		ECO-07-006955	11APR2007	RB	JO



RECOMMENDED PCB LAYOUT FOR 1375795-1 & -3



RECOMMENDED PCB LAYOUT FOR 1375795-2, -4 & -5

- 1 HOUSING: HIGH TEMPERATURE, GLASS FILLED NYLON, COLOR: BLACK. CONTACTS: PHOSPHOR BRONZE
- 2 CONTACTS: 0.00038 MIN GOLD ON MATING RECEPTACLE END, 0.00013 MIN GOLD ON REMAINDER, ALL OVER 0.00127 NICKEL.
- 3 PCB HOLE RECOMMENDATIONS:
 A. DRILL HOLE DIAMETER TO BE 1.15±0.02.
 B. PLATING TO BE 0.005 MIN TIN-LEAD OVER 0.025-0.075 COPPER.
 C. RECOMMENDED FINISH HOLE SIZE IS 1.03±0.08.
- 4 DIMENSION AFTER SEATING TO PCB.
- 5 NO CONTACT IN THIS POSITION, FOR PART NUMBER 1375795-1, -3, & -5 ONLY
- 6 POSITION TOLERANCE APPLIES AFTER CONNECTOR IS PRESSED ONTO PC BOARD.
- 7 CONTACTS: 0.00038 MIN GOLD ON MATING RECEPTACLE END, 0.00250-0.00508 MATTE TIN ON COMPLIANT AREA, 0.00013 MIN GOLD ON REMAINDER, ALL OVER 0.00127 NICKEL.
- 8 PCB HOLE RECOMMENDATIONS FOR SILVER IMMERSION PLATING:
 A. DRILL HOLE DIAMETER TO BE 1.20±0.02.
 B. PLATING TO BE 0.0001524-0.0004064 SILVER OVER 0.0508±0.0254 COPPER.
 C. RECOMMENDED FINISH HOLE SIZE IS 1.10-1.19.
- 9 TO BE USED ON SILVER IMMERSION PLATED PCB'S (NOTE 8).
- 10 HOUSING CONTACT CAVITIES MOLDED SHUT FOR PART NUMBERS 1375795-1) & -3 ONLY
- 11 PCB HOLE RECOMMENDATIONS FOR ENIG PLATING:
 A. DRILL HOLE DIAMETER TO BE 1.20±0.02.
 B. PLATING TO BE 0.000051-0.000127 GOLD OVER 0.00305-0.00610 NICKEL ALL OVER 0.0508±0.0254 COPPER.
 C. RECOMMENDED FINISH HOLE SIZE IS 1.10-1.19.
- 12 TO BE USED ON STANDARD PCB (NOTE 3) OR ENIG PLATED PCB (NOTE 11).

FINISH	KEYED CIRCUITS	PART NO
2	NO 5	1375795-5
7	NO	1375795-4
7	YES 5	1375795-3
2	NO	1375795-2
2	YES 5	1375795-1

DIMENSIONS: mm TOLERANCES UNLESS OTHERWISE SPECIFIED: 0 PLC ± 1 PLC ±0.13 2 PLC ± 3 PLC ± 4 PLC ± ANGLES ±		DWG: W.G. LENKER 02JUN2000 ENR: L. BREKOSKY 15JAN2001 APVD: J. OLSON 13JUN2001 PRODUCT SPEC: 108-1956 APPLICATION SPEC: 114-13021 WEIGHT: - CUSTOMER DRAWING	NAME: ASSEMBLY, PC/104, STACKTHROUGH CONTACTS, PRESS FIT SIZE: A1 CAGE CODE: 00779 DRAWING NO: 1375795 SCALE: 3:1 SHEET: 1 OF 1 REV: H
---	--	--	--